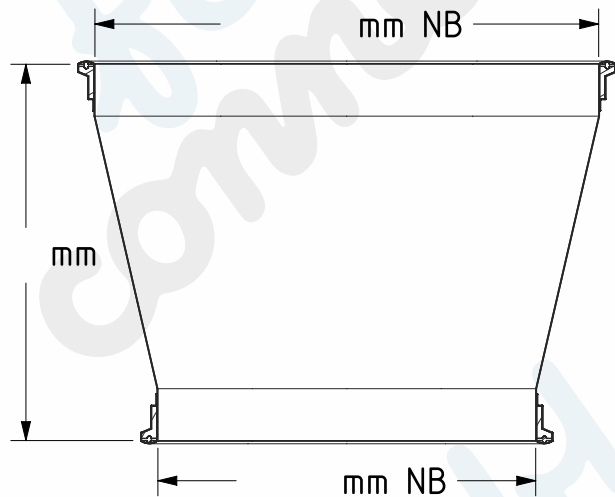


**All Tri-Clover ended connections are encapsulated in FDA approved polyurethanes.**



SECTION X-X

Working Conditions	
Media (Product)	
Working Temperature	
Pressure	Positive Negative Amount -
Movement (Type)	Axial mm
	Lateral mm
	Angular °
Vibration	

**flexible connections**  
www.flexibleconnections.co.uk

King Street Trading Estate, Middlewich, Cheshire, CW10 9LF.  
Tel: 01606 836024  
Email: sales@flexibleconnections.co.uk

Material:

Title:

DWG N°:

This drawing is confidential and is the property of Flexible Connections LTD.  
It must not be disclosed to a third party, copied or lent without written consent of Flexible Connections LTD.  
Copyright ©

Drawn By:  
J.B.

Sheet:

Date:

Rev: