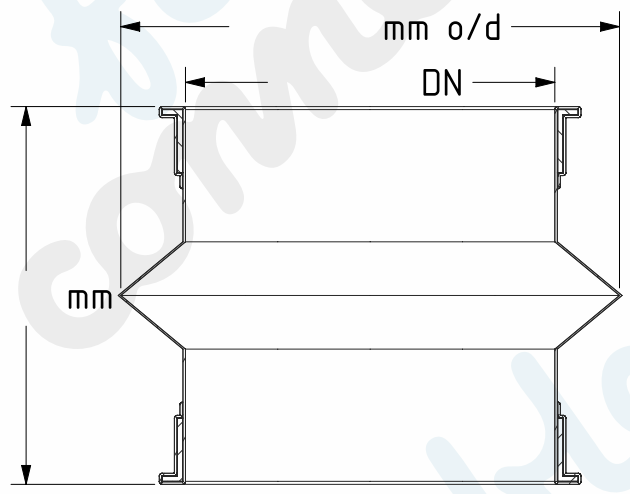



The anti-static polyurethane material has been tested in accordance with the requirements of EN 60079-0:2017 clause 7.4.2 and 26.13. This material is dissipative and suitable for ATEX use. We advise seeking independent expert advice on suitability for your application.



SECTION X-X

OPEN LENGTH: mm
 CLOSED LENGTH: mm

Working Conditions	
Media (Product)	
Working Temperature	
Pressure	Positive Negative Amount -
Movement (Type)	Axial mm
	Lateral mm
	Angular °
	Vibration

 www.flexibleconnections.co.uk King Street Trading Estate, Middlewich, Cheshire, CW10 9LF. Tel: 01606 836024 Email: sales@flexibleconnections.co.uk	Material: 1mm clear FDA & ATEX rated PU	Title:	DWG N°:
	<small>This drawing is confidential and is the property of Flexible Connections LTD. It must not be disclosed to a third party, copied or lent without written consent of Flexible Connections LTD. Copyright ©</small>		Drawn By: J.B.