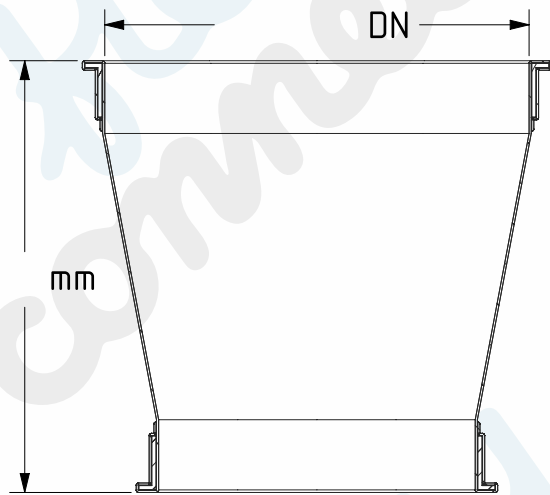


**The anti-static polyurethane material has been tested in accordance with the requirements of EN 60079-0:2017 clause 7.4.2 and 26.13. This material is dissipative and suitable for ATEX use. We advise seeking independent expert advice on suitability for your application.**



SECTION X-X

| Working Conditions  |                                  |
|---------------------|----------------------------------|
| Media (Product)     |                                  |
| Working Temperature |                                  |
| Pressure            | Positive<br>Negative<br>Amount - |
| Movement (Type)     | Axial                   mm       |
|                     | Lateral                 mm       |
|                     | Angular                °         |
|                     | Vibration                        |

**flexible connections**  
www.flexibleconnections.co.uk

King Street Trading Estate, Middlewich, Cheshire, CW10 9LF.  
Tel: 01606 836024  
Email: sales@flexibleconnections.co.uk

Material:  
1mm clear FDA &  
ATEX rated PU

Title:

DWG N°:

This drawing is confidential and is the property of Flexible Connections LTD.  
It must not be disclosed to a third party, copied or lent without written consent of Flexible Connections LTD.  
Copyright ©

|           |        |       |      |
|-----------|--------|-------|------|
| Drawn By: | Sheet: | Date: | Rev: |
| J.B.      |        |       |      |