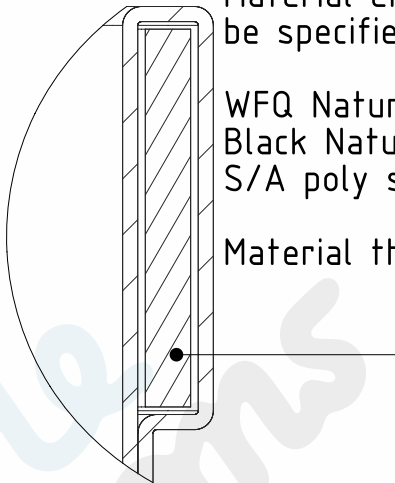


SECTION X-X



DETAIL A

Material encapsulated to be specified by customer:

- WFQ Natural rubber
- Black Natural rubber
- S/A poly sponge

Material thickness: mm

Working Conditions

Media (Product)	
Working Temperature	
Pressure	Positive Negative Amount -
Movement (Type)	Axial mm Lateral mm Angular ° Vibration
FDA/Food Quality Required	
Anti-Static Required	
Colour Preference	
Wall Thickness	mm



www.flexibleconnections.co.uk

King Street Trading Estate, Middlewich, Cheshire, CW10 9LF.
Tel: 01606 836024
Email: sales@flexibleconnections.co.uk

Material:

Title:

DWG N°:

This drawing is confidential and is the property of Flexible Connections LTD.
It must not be disclosed to a third party, copied or lent without written consent of Flexible Connections LTD.
Copyright ©

Drawn By:
J.B.

Sheet:

Date:

Rev: